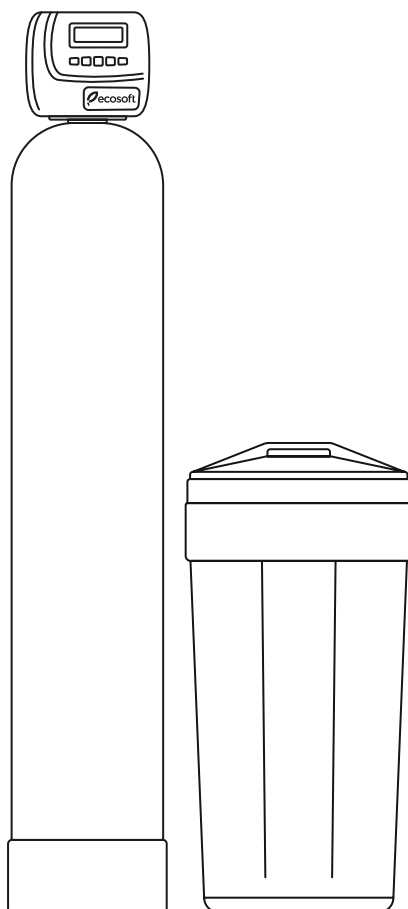


**Instruction manual
Ecosoft® media systems**

**Руководство по монтажу и настройке
систем очистки воды Ecosoft®**



CONTENTS

1	Components	3
2	Installation	6
3	Programming	9
4	Precautions	12
5	Troubleshooting	13
6	Specifications	15
7	Installation sheet	22
8	Installation information	23



This appliance is not intended for use by persons (including children) with reduced physical, sensory or mental capabilities, or lack of experience and knowledge, unless they have been given supervision or instruction concerning use of the appliance by a person responsible for their safety. Children should be supervised to ensure that they do not play with the appliance.

1. COMPONENTS

1.1. Overview

Ecosoft media systems are automated water treatment appliances for household, business, and industrial use.

Ecosoft media systems consist of a fiberglass reinforced plastic (FRP) tank, media bed, riser pipe, and electronic digital control valve. The control valve regulates flow of water, estimates remaining media capacity, performs regeneration of the media when necessary, and supports integration of the appliance in your home automation system. The control valve fully automates your water treatment unit while allowing you to manually operate it if necessary. Each media system will purify water for a limited time or amount of treated water before the media becomes exhausted and requires regeneration before continuing water treatment process. The concept is referred to as volume capacity of a filter. Ecosoft WS1CE control valve is used with brine regenerable systems, and Ecosoft WS1CT control valve is used with non-brine using systems.

WS1CE control valve is a five-button operated control valve. It allows for flexible configuration of your water treatment appliance including user settings (display language, time of regeneration, energy saving) and specialist settings (for a complete reference, see control valve programming manual). The valve regenerates filter media using fast backwash, brine regeneration, slow rinse, and fast rinse. It is used to operate water softeners and ECOMIX® multi-purpose systems.

WS1CT control valve is a three-button operated control valve. It allows to set up most important parameters including time of day when the system regenerates, schedule or frequency of regeneration, and regeneration program (for specialist use only). The control valve regenerates media with fast backwash and fast forward rinse. It is the standard control valve for Filter Ag sediment filtration systems, granular activated carbon systems, and catalytic carbon systems.

1.2. Ecosoft FK® Ecomix® advanced softening material for problem water

Well water will often contain concurrent concentrations of magnesium and calcium ions, iron, manganese, ammonia and organic compounds complicating the problem of reducing mineral impurities to acceptable norm.

Ukrainian scientists developed and patented a technology for eliminating these impurities in one step within a single unit based on ECOMIX® filter media. Regeneration of the media is performed with sodium chloride solution in an identical fashion to that of ion exchange water softening systems.

ECOMIX® is compound media comprising ion exchange and adsorptive components with synergistic properties. Inside the water treatment system, Ecomix bed stratifies in layers that work in a complementary fashion purifying water from the most commonly encountered raw water impurities: hardness, iron, manganese, ammonia, and organic color.

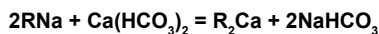
For more information regarding ECOMIX® visit <https://ecosoft.com/ecomix/>.

1.3. Ecosoft FU® Dowex® cation exchange softening resin

Hardness of water is the single most costly water quality issue faced by homeowners, businesspeople, and public executives. Some of the symptoms of excessive water hardness are limescale deposition inside water pipes and appliances, overuse of detergent, poor lathering of soap, compromised plumbing fixture appearance, overuse of electric power by water heating appliances, poor skin and hair condition.

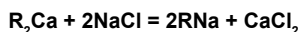
Water hardness is produced by calcium and magnesium ions in the water. Ion exchange softening is a simple and convenient way to address water hardness. Ion exchange resins attract and retain ions of metals dissolved in water and release harmless ions of sodium to balance out the charge. When ion exchange capacity of the resin becomes depleted, the resin has to be regenerated to restore its properties. During regeneration, concentrated salt brine seeps slowly through the bed, allowing sodium ions to displace and flush out ions of hardness.

Chemically, the process is described by reaction:



where R stands for ion exchange valency

Regeneration of the cation exchange resin with sodium chloride solution takes the resin back into Na⁺ form:



ECOSOFT® water softeners use DOWEX® ion exchange resin produced by the Dow Chemical Company.

1.4. Ecosoft FPA® granular activated carbon systems

Granular activated carbon (GAC) is used for removing chlorine and chlorine compounds, natural organic matter (humic substances), pollutants including petroleum products and pesticides, and improving organoleptic properties of water.

Ecosoft FPA systems use Filtrasorb macroporous GAC well-suited for removal of organic impurities found in natural raw water and chlorine removal. The media is regenerated by timer with backwash.

1.5. Ecosoft FPC® catalytic carbon systems

Centaur® catalytic carbon is used for correcting organoleptic properties of well water. It is particularly effective for removal of hydrogen sulfide by catalytic oxidation and adsorption of the products.

It removes small concentrations of iron provided that surface flow will not exceed 10 m³/(h·m²), oxygen concentration is in excess of stoichiometric demand, and pH is above 7. For effective catalytic functioning, Centaur requires dissolved oxygen concentration of at least 15% the mass of iron and 50% the mass of H₂S. Other oxidizing reagents can be injected in raw water to achieve the same desulfurization and deironing efficiency. The media is regenerated by timer with backwash.

1.6. Ecosoft FP® multimedia systems

Filter Ag® is a granular media that is used for reduction of suspended solids by removing particulate matter. The media consists of irregularly shaped grains, which trap and retain waterborne particles by straining and adhesion. Common applications of Filter Ag® systems include pretreatment of high turbidity water, removal of pre-oxidized iron floc, silt and other types of suspended matter.

Filter Ag® bed is regenerated with backwash.

1.7. Ecosoft WS1® control valve

Ecosoft control valve is an electronically operated piston valve. In service mode, it passes influent water through the filter bed and supplies treated water to the downstream pipework. In regeneration mode, the control valve uses supply water to wash the filter bed and discards it to the drain. If any water is taken downstream the system, untreated water will be supplied.

Ecosoft WS1CE control valve offers the following functionality:

- Water meter, brine regeneration system, external motorized two-way valve or three-way valve connectivity for hard water bypass shut-off
- Three optional conditions for initiating media regeneration
- Water usage and flow rate display
- 63-day memory and intelligent processing of stored usage history for predicting usage patterns and optimal regeneration window
- Day override regeneration every 1...28 when usage does not warrant regeneration by meter
- Selectable display languages and units of measurement
- Factory presets.



Ecosoft FK/FU brine regenerable system

2. INSTALLATION



Installation area must meet all applicable building code. Water and power supply, and ambient conditions must meet Specification requirements of this manual. Observe all local plumbing and electrical code when connecting system to utilities

- Install check valve when connecting the device to water mains as per IEC 61770. Install second check valve after the system to prevent back flow.
- Particulate impurities (such as sand, scale or rust) may damage the control valve. To prevent malfunction, install a point-of-entry sediment filter as shown on drawing in the end of this chapter.
- Fit the system with relevant sampling taps and pressure gauges shown on drawing. This will help maintain and troubleshoot the system.
- Install vacuum relief valve as shown if using booster pump downstream of Ecosoft system. The FRP tanks may implode when subjected to negative pressure.
- If your system does not include bypass, implement bypass pipeline to aid maintenance and diagnostics.

2.1. FK, FU, FPA, FPC, FP Simplex

1. Install FRP tank on firm level surface capable of supporting its weight. Put riser pipe in the tank bottom distributor first. Ensure that top end of riser pipe is level with the top opening of FRP tank (within +5 mm).
2. Plug or cap top end of the riser pipe to avoid letting media particles inside. Use funnel to pour the media in the tank. When loading the tank, maintain vertical orientation of riser pipe. If the pipe tilts, restore it to straight vertical direction. When finished, rinse thread of tank opening with water and remove any media particles stuck in thread groove.

If assembling FPA, FPC, or FP system, fill the tank to 30% its height with water before proceeding.

3. Lock top distributor in circular slot at the bottom of control valve shank. Mate the distributor with top end of riser pipe, then screw control valve on tank.
4. Install ¾" pipe in control valve drain fitting and run it to floor drain or pipe socket. Fix the drain pipe end above floor drain to provide at least 1" wide air gap.
5. *If assembling FU or FK system, place the brine tank next to FRP tank. Install ¾" flexible tube in brine elbow and run it to brine tank. Remove tank lid and brine well cap, pull the tube inside the well and connect it to brine valve, then re-assemble in reverse order. Fill the brine tank with salt at least half full.*
6. Install connection fitting kit: mate the fitting to control valve ports and screw the coupling nuts on port threads. Do not put any mechanical load on fittings or use them to support pipes.

Connect the system to water supply and downstream pipework without opening water supply shut-off valves. Observe correct flow direction when connecting pipes. Influent and treated water ports are indicated with arrows on control valve.

Start manual regeneration of the system. Scroll regeneration to backwash if it is not performed on 1st cycle of regeneration sequence. As soon as the control valve starts backwashing, slightly open entry shut-off valve to let water in the system. Air will escape via drain line with an audible hiss. When water emerges from the drain line, open the entry valve completely. Carefully inspect the system for leaks.

Let the system finish regeneration, then perform one more manual regeneration

2.2. FK, FU Cabinet

If your cabinet was delivered with pre-loaded media, place the cabinet in the installation spot, fill salt compartment with salt, then perform step 6 of simplex installation procedure above.

1. Disconnect $\frac{3}{8}$ " flexible tube from brine elbow of control valve. Unmount the valve by screwing counterclockwise. Remove the valve, then remove quick connector piece if present.
2. Plug or cap top end of the riser pipe to avoid letting media particles inside. Use funnel to carefully pour the media in the tank. When loading the tank, maintain vertical orientation of riser pipe. If the pipe tilts, restore it to straight vertical direction. When finished, rinse thread of tank opening with water and remove any media particles stuck in thread groove. Install connector piece if necessary and screw control valve back on FRP tank.
3. Place the cabinet in the installation spot. Install $\frac{3}{4}$ " pipe in control valve drain fitting and run it to floor drain or pipe socket. Fix the drain pipe end above floor drain to provide at least 1" wide air gap. Open lid and fill salt compartment with softener salt at least half full.
4. Install connection fitting kit: mate the fitting to control valve ports and screw the coupling nuts on port threads. Do not put any mechanical load on fittings or use them to support pipes.

Connect the system to water supply and downstream pipework without opening water supply shut-off valves. Observe correct flow direction when connecting pipes. Influent and treated water ports are indicated with arrows on control valve.

Start manual regeneration of the system. Scroll regeneration to backwash if it is not performed on 1st cycle of regeneration sequence. As soon as the control valve starts backwashing, slightly open entry shut-off valve to let water in the system. Air will escape via drain line with an audible hiss. When water emerges from the drain line, open the entry valve completely. Carefully inspect the system for leaks.

Let the system finish regeneration, then start one more

2.3. FK, FU Twin

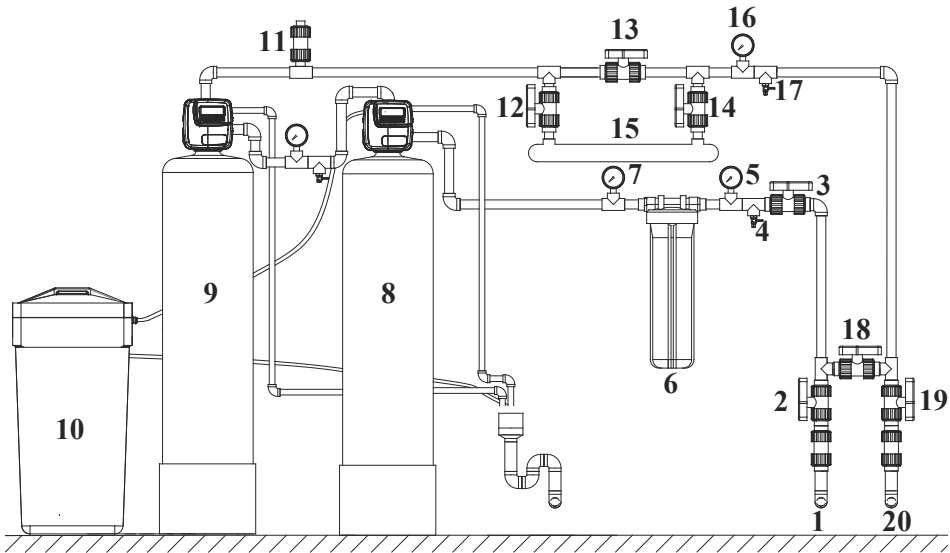
Twin systems are equipped with WS1CE Twin specially designed control valve. The valve has two special side ports for connecting to twin tank. Twin operation allows for uninterrupted treated water supply without the need to use raw water when the system is regenerating.

1. Install FRP tank on firm level surface capable of supporting its weight. Put riser pipe in the tank bottom distributor first. Ensure that top end of riser pipe is level with the top opening of FRP tank (within +5 mm).
2. Plug or cap top end of the riser pipe to avoid letting media particles inside. Use funnel to pour the media in the tank. When loading the tank, maintain vertical orientation of riser pipe. If the pipe tilts, restore it to straight vertical direction. When finished, rinse thread of tank opening with water and remove any media particles stuck in thread groove. Repeat with the second tank
3. Lock top distributor in circular slot at the bottom of control valve shank. Install control valve on the lead tank. Mate the distributor with top end of riser pipe, then screw control valve on tank. Turn the tank so that the control valve's side ports face the other tank. Attach second top distributor to in-out head and screw it on the second tank. Use interconnectors pack to join in-out head with control valve. Fix the coupling nuts firmly.
4. Install $\frac{3}{4}$ " pipe in control valve drain fitting and run it to floor drain or pipe socket. Fix the drain pipe end above floor drain to provide at least 1" wide air gap.
5. Place the brine tank next to FRP tank. Install $\frac{3}{8}$ " flexible tube in brine elbow and run it to brine tank. Remove tank lid and brine well cap, pull the tube inside the well and connect it to brine valve, then re-assemble in reverse order. Fill the brine tank with salt at least half full
6. Install connection fitting kit: mate the fitting to control valve ports and screw the coupling nuts on port threads. Do not put any mechanical load on fittings or use them to support pipes.

Connect the system to water supply and downstream pipework without opening water supply shut-off valves. Observe correct flow direction when connecting pipes. Influent and treated water ports are indicated with arrows on control valve.

Start manual regeneration of the system. Scroll regeneration to backwash if it is not performed on 1st cycle of regeneration sequence. As soon as the control valve starts backwashing, slightly open entry shut-off valve to let water in the system. Air will escape via drain line with an audible hiss. When water emerges from the drain line, open the entry valve completely. Carefully inspect the system for leaks.

Let the system finish regeneration, then perform one more manual regeneration.



Recommended piping and instrumentation setup for Ecosoft media system

Ref. no.	Item
1.	Main water pipe
2.	Main water shutoff valve
3.	Point of entry valve
4.	Sampling tap
5.	Pressure gauge
6.	Sediment filter housing
7.	Pressure gauge
8.	Ecosoft FK/FU water treatment system
9.	Ecosoft FPA/FPC/FP water treatment system
10.	FK/FU brine tank
11.	Vacuum relief valve
12.	Ultraviolet disinfection entry valve
13.	Ultraviolet disinfection bypass valve
14.	Ultraviolet disinfection exit valve
15.	Ultraviolet disinfection system
16.	Pressure gauge
17.	Sampling tap
18.	Main bypass valve
19.	Water supply shutoff valve
20.	Water supply pipe

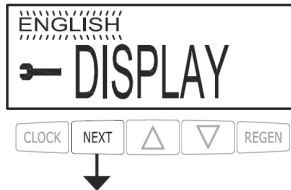
3. PROGRAMMING

3.1. WS1CE control valve setup

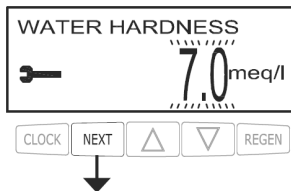
After installing Ecosoft FK or FU system, the control valve has to be set up as follows.

1. Enter Installer Settings by holding NEXT + ▲ simultaneously for three seconds. To change setting, use ▲ or ▼ buttons, to save and move to the next step press NEXT.

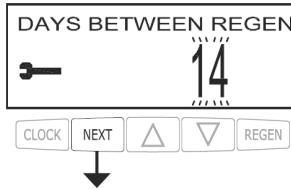
Language menu will show.



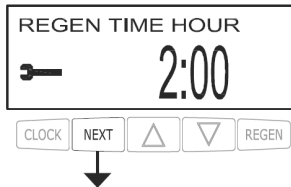
Select display language



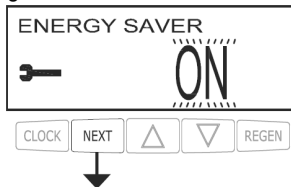
Enter raw water hardness (note: units of hardness are selectable in OEM configuration setup — see control valve instruction for detailed reference).



Set Day Override (maximum number of days in service, after which control valve will carry out preventive regeneration).



Enter preferred time of delayed regeneration, hours then minutes (factory set to 2 AM).



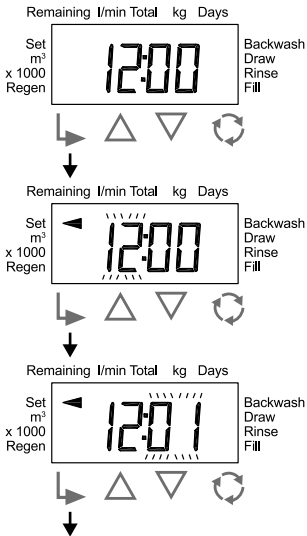
Turn off display backlight 5 minutes after last keypad input event. Pressing NEXT will exit the menu.

2. Set current time by pressing CLOCK.



3.2. WS1DV control valve setup

1. Set time of day.

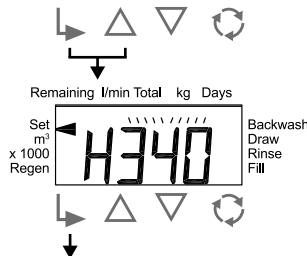


From the Time of Day display, press and hold NEXT until the SET indicator and the hour flash

Use UP or DOWN to set the hour. Press NEXT to go to the next display.

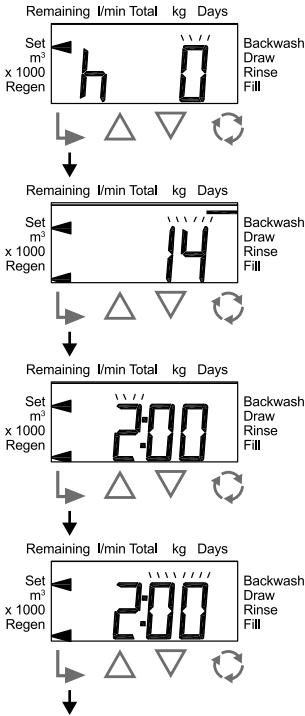
Use UP or DOWN to set the minutes. Press NEXT to return to user level displays.

2. OEM installer settings.



STEP 1I – From normal mode, press UP and NEXT simultaneously for about 3 seconds and release.

STEP 2I – Inlet Water Hardness (PPM) - Set the amount of infl uent hardness using UP or DOWN. Press NEXT to go to Step 3I. Press REGEN to exit OEM Installer Settings. This screen will only be displayed when “rES” is selected in step 3S.



STEP 3I – Service Water Hardness (PPM) - If a mixing valve is installed in the valve, service hardness needs to be set. Setting range is always less than the setting in Step 2I. This screen will only be displayed when 'rES' is selected in Step 3S. Press NEXT to go to Step 4I. Press REGEN to return to previous step.

STEP 4I – Day Override - Adjust day override from 1 - 28 days or OFF using UP or DOWN. Press NEXT to go to Step 5I. Press REGEN to return to previous step.

STEP 5I – Time of Regeneration, Hour - Set the time (hour) for regeneration using UP or DOWN. The default time is 2:00 a.m. This display will show "on 0" if "on 0" is selected in Step 3S. Press NEXT to go to Step 6I. Press REGEN to return to previous step.

STEP 6I – Time of Regeneration, Minutes - Set the time (minutes) for regeneration using UP or DOWN. The default time is 2:00 a.m. This display will not appear if "on 0" is selected in Step 3S. Press NEXT to exit Installer Settings. Press REGEN to return to previous step.

3.3. WS1CT control valve setup

After installing Ecosoft FPA, FPC, or FP system, the control valve has to be set up as follows.

1. Enter Installer Settings by holding NEXT + ▲ simultaneously for three seconds. To change setting, use ▲ or ▼ buttons, to save and move to the next step press SET.



Set regeneration time of day, hours then minutes (factory set to 2 AM).



Select current day of week.



Activate or deactivate regeneration on Sunday night using ▲ or ▼ buttons. Regeneration on this day will be performed if arrow is displayed against Regen

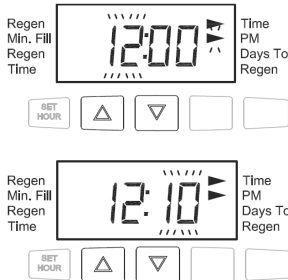


Similarly, activate or deactivate regeneration on Monday night using ▲ or ▼ buttons. Regeneration on this day will be performed if arrow is displayed against Regen.

Scroll over all days of the week and select days for regeneration, then exit menu.

If the control valve is configured to regenerate once in 1...99 days, this option will be shown instead of 1 week regeneration schedule

2. Set current time by pressing SET.



See control valve manual for more information.

4. PRECAUTIONS



Remove power, shut off water supply and release pressure in the system before doing any maintenance or repair. Protect from moisture inside parts of control valve. Do not stress or load filter tank

- Keep track of salt in brine tank or salt compartment of cabinet. Replenish when necessary.
- To avoid fouling of media during prolonged downtime without power/water supply, fill the FRP tank with brine as follows. Start manual regeneration, wait 20 minutes into the brine stage, then shut off water supply and scroll regeneration cycles back to service. Then, turn off control valve.
- Perform regeneration when starting service after downtime.
- Inspect connections for leaks at least once in three months.
- Routinely check current time in control valve and correct if necessary.
- Maintain sediment prefilter regularly.
Filter cartridge must be replaced if pressure drop exceeds 1 bar (14 psi)

5. TROUBLESHOOTING

PROBLEM	CAUSE	CORRECTION
Decreased service flow capacity	1. Decreased supply water pressure.	1. Increase supply water pressure.
	2. Clogged filter bed.	2. See par. 3.
	3. Obstructed/clogged drain line.	3. Inspect and clean the drain line.
	4. Clogged control valve.	4. Take apart, inspect and clean the control valve.
	5. No Hard Water Bypass Valve failure (if installed).	5. Inspect and repair the valve.
Decreased quality of treated water.	1. Faulty chemical analysis of water.	1. Perform one more test using freshly prepared reagents.
	2. Supply water chemistry has changed.	2. Make new check analysis and if changed contact your dealer.
	3. Bypass is in bypass position.	3. Turn bypass to operating position.
	4. Riser pipe or seals are damaged.	4. Take apart the conditioner, repair/replace the pipe and replace or lubricate the seals if needed.
	5. Clogged filter bed.	5. See par. 3.
	6. Filter media loss due to entrainment.	6. See par. 4.
	7. Poor/improper filter bed regeneration.	7. See par. 6.
	8. Leakage of raw water inside the control valve.	8. Take apart the control valve, inspect and replace or lubricate the seals if needed.
Clogged filter bed.	1. Insufficient backwash flow rate.	1. Check backwash flow rate. If supply pressure is within the limits and the flow rate is insufficient, inspect and clean the drain line flow control or replace it if needed.
	2. Insufficient backwash stage duration.	2. Increase the duration of backwash stage.
	3. Clogged top distributor.	3. Clean the top distributor.
	4. Excessive backwash flow rate.	4. Check backwash flow rate. If supply pressure is within the limits and the flow rate is exceeding, change drain line flow control (contact your dealer).
Filter media entrainment.	1. Filter media is entrained and carried away during backwash stage.	1. Inspect the top distributor. Replace if needed.
	2. Filter media is entrained and carried away during service.	2. Inspect the bottom distributor. Replace if needed.

PROBLEM	CAUSE	CORRECTION
System does not regenerate.	1. No electric power.	1. Check power supply.
	2. No/insufficient salt in brine tank.	2. Check the amount of salt in brine tank and add salt if needed.
	3. Brine is not drawn during the regeneration or not all brine is drawn.	3. See par. 6.
	4. Control valve is out of order or settings were changed.	4. Check the control valve and its settings (see the manual for the control valve).
	5. Brine tank is not refilled or is refilled with less water than needed.	5. See par. 7.
Brine is not drawn during the regeneration or not all brine is drawn.	1. Low supply water pressure.	1. Check supply water pressure.
	2. Brine injector or brine tube is clogged.	2. Clean brine injector and/or brine tube.
	3. Clogged basket or salt crystals on ball in air check valve.	3. Clean air check valve basket and/or ball.
	4. High pressure drop on the filter (control valve, distributors or filter media are clogged).	4. See par. 1, 4.
	5. Brine line is not airtight so air is injected.	5. Check airtightness of the drain line.
	6. Control valve settings were changed.	6. Increase brine stage duration.
Brine tank is not refilled or is refilled with less water than needed	1. Low supply water pressure.	1. Check supply water pressure.
	2. Brine injector or brine tube is clogged.	2. Clean brine injector and/or brine tube.
	3. Stuck ball in the air check valve.	3. Clean the air check valve.
	4. Control valve settings have been changed.	4. Check the duration of brine tank refill and correct if necessary.
Excessive salt consumption during regeneration	1. Changed control valve settings.	1. Decrease the amount of salt per regeneration in the control valve settings.
	2. Brine tank is filled with too much water.	2. See par. 9.
Brine tank is filled with excessive amount of water	1. High main water pressure.	1. Check water pressure. Install pressure regulator if needed.
	2. Changed control valve settings.	2. Check the duration of brine tank refill and correct if necessary.

6. SPECIFICATIONS

Ecosoft FK® Ecomix systems

Requirements and limitations

Installation room	
Ambient temperature	+5°C...+40°C
Relative humidity	≤80%
Operating environment	indoor; free of corrosive vapors, airborne dust, and fibrous matter; sheltered from weather and direct sunlight
Power supply	
Electrical rating	230 V, 50 Hz (EU adapter)
Power	6 VA
Water supply	
Pressure	2-6 bar (30-90 psi)
Water temperature	+4°C...+30°C
Prefilter rating	100 µm
Maximum influent concentrations	
Hardness	750 mg CaCO ₃ /L 42 °dH 45 gpg
Iron	15 mg/L
Manganese	3 mg/L
Ammonia	4 mg/L
Chemical oxygen demand	20 mg/L O ₂
Total dissolved solids	4000 mg/L

Model range

Model	Overall dimensions ¹ , m (width × depth × height)	Nominal flow rate, m ³ /h	Quantity of media, L	Consumption of salt per regeneration, kg NaCl	Consumption of water per regeneration, m ³	Minimum required flow capacity ² @ 2 bar, m ³ /h
FK-1018 Cab	0,35×0,55×0,7	1,2	12	1,2	0,12	0,8
FK-0835 Cab	0,35×0,55×1,1	0,8	18	1,8	0,18	0,8
FK-1035 Cab	0,35×0,55×1,1	1,3	25	2,5	0,3	0,8
FK-1035	0,9×0,5×1,1	0,8	25	2,5	0,3	0,8
FK-1054	1,0×0,6×1,6	1,2	37	3,7	0,4	0,8
FK-1252	1,0×0,6×1,6	1,8	50	5,0	0,5	1,0
FK-1354	1,0×0,6×1,6	2,1	62	6,2	0,6	1,2
FK-1465	1,1×0,6×1,9	2,5	75	7,5	0,8	1,5
FK-1665	1,1×0,6×1,9	3,3	100	10,0	1,0	2,0
FK-2162	1,4×1,0×2,0	5,5	150	15,0	1,5	3,4
FK-1035 Twin	1,4×0,5×1,1	0,8	50	2,5	0,3	0,8
FK-1054 Twin	1,5×0,6×1,6	1,2	74	3,7	0,4	0,8
FK-1252 Twin	1,5×0,6×1,6	1,8	100	5,0	0,5	1,0
FK-1354 Twin	1,6×0,6×1,6	2,1	124	6,2	0,6	1,2
FK-1465 Twin	1,7×0,6×1,9	2,5	150	7,5	0,8	1,5
FK-1665 Twin	1,8×0,6×1,9	3,3	200	10,0	1,0	2,0
FK-2162 Twin	2,2×1,0×2,0	5,5	300	15,0	1,5	3,4

¹ may vary depending on arrangement of pieces² supply water flow rate required for proper regeneration of system

Ecosoft FU® softening systems

Requirements and limitations

Installation room

Ambient temperature	+5°C...+40°C
Relative humidity	≤80%
Operating environment	indoor; free of corrosive vapors, airborne dust, and fibrous matter; sheltered from weather and direct sunlight

Power supply

Electrical rating	230 V, 50 Hz (EU adapter)
Power	6 VA

Water supply

Pressure	2-6 bar (30-90 psi)
Water temperature	+4°C...+30°C
Prefilter rating	100 µm

Maximum influent concentrations

Hardness	750 mg CaCO ₃ /L 42 °dH 45 gpg
Iron	0,2 mg/L
Manganese	0,05 mg/L

Model range

Model	Overall dimensions ¹ , m (width x depth x height)	Nominal flow rate, m ³ /h	Quantity of media, L	Consumption of salt per regeneration, kg NaCl	Consumption of water per regeneration, m ³	Minimum required flow capacity ² @ 2 bar, m ³ /h
FU-0817 Cab	0,25×0,45×0,65	0,8	8	0,8	0,1	0,6
FU-1018 Cab	0,35×0,55×1,1	0,8	12	1,2	0,12	0,8
FU-0835 Cab	0,35×0,55×1,1	1,3	18	1,8	0,18	0,8
FU-1035 Cab	0,35×0,55×1,1	2,0	25	2,5	0,3	0,8
FU-1035	0,9×0,5×1,1	2,0	25	2,5	0,3	0,8
FU-1054	1,0×0,6×1,6	2,0	37	3,7	0,4	0,8
FU-1252	1,0×0,6×1,6	2,9	50	5,0	0,5	1,0
FU-1354	1,0×0,6×1,6	3,5	62	6,2	0,6	1,2
FU-1465	1,1×0,6×1,9	4,0	75	7,5	0,8	1,5
FU-1665	1,1×0,6×1,9	5,2	100	10,0	1,0	2,0
FU-2162	1,4×1,0×2,0	7,0	150	15,0	1,5	3,4
FU-1035 Twin	1,4×0,5×1,1	2,0	50	2,5	0,3	0,8
FU-1054 Twin	1,5×0,6×1,6	2,0	74	3,7	0,4	0,8
FU-1252 Twin	1,5×0,6×1,6	2,9	100	5,0	0,5	1,0
FU-1354 Twin	1,6×0,6×1,6	3,5	124	6,2	0,6	1,2
FU-1465 Twin	1,7×0,6×1,9	4,0	150	7,5	0,8	1,5
FU-1665 Twin	1,8×0,6×1,9	5,2	200	10,0	1,0	2,0
FU-2162 Twin	2,2×1,0×2,0	7,0	300	15,0	1,5	3,4

¹ may vary depending on arrangement of pieces² supply water flow rate required for proper regeneration of system

Ecosoft FPA® activated carbon systems

Requirements and limitations

Installation room	
Ambient temperature	+5°C...+40°C
Relative humidity	≤80%
Operating environment	indoor; free of corrosive vapors, airborne dust, and fibrous matter; sheltered from weather and direct sunlight
Power supply	
Electrical rating	230 V, 50 Hz (EU adapter)
Power	6 VA
Water supply	
Pressure	2-6 bar (30-90 psi)
Water temperature	+4°C...+30°C
Prefilter rating	100 µm

Model range

Model	Overall dimensions, m (width x depth x height)	Nominal flow rate, m ³ /h	Quantity of media, kg	Consumption of water per regeneration, m ³	Required flow capacity, m ³ /h ¹
FPA-1035	0,3×0,3×1,1	0,6	25	0,3-0,4	1,0
FPA-1054	0,3×0,3×1,6	0,6	25	0,3-0,4	1,0
FPA-1252	0,4×0,4×1,6	0,9	25	0,4-0,6	1,5
FPA-1354	0,4×0,4×1,6	1,0	50	0,5-0,7	1,7
FPA-1465	0,4×0,4×1,9	1,2	50	0,5-0,8	2,0
FPA-1665	0,5×0,5×1,9	1,6	75	0,7-1,0	2,5
FPA-2162	0,6×0,6×2,0	2,6	75	1,2-1,8	4,5

¹ supply water flow rate required for proper regeneration of system

Ecosoft FPC® catalytic carbon systems

Requirements and limitations

Installation room	
Ambient temperature	+5°C...+40°C
Relative humidity	≤80%
Operating environment	indoor; free of corrosive vapors, airborne dust, and fibrous matter; sheltered from weather and direct sunlight
Power supply	
Electrical rating	230 V, 50 Hz (EU adapter)
Power	6 VA
Water supply	
Pressure	2-6 bar (30-90 psi)
Water temperature	+4°C...+30°C
Prefilter rating	100 µm

Model range

Model	Overall dimensions, m (width × depth × height)	Nominal flow rate, m ³ /h	Quantity of media, kg	Consumption of water per regeneration, m ³	Required flow capacity, m ³ /h ¹
FPC-1035	0,3×0,3×1,1	0,6	15	0,3-0,5	1,2
FPC-1054	0,3×0,3×1,6	0,6	15	0,3-0,5	1,2
FPC-1252	0,4×0,4×1,6	0,9	30	0,5-0,7	1,7
FPC-1354	0,4×0,4×1,6	1,0	30	0,5-0,8	2,0
FPC-1465	0,4×0,4×1,9	1,2	45	0,6-0,9	2,3
FPC-1665	0,5×0,5×1,9	1,6	60	0,8-1,2	3,0
FPC-2162	0,6×0,6×2,0	2,6	75	1,2-1,8	4,5

¹ supply water flow rate required for proper regeneration of system

Ecosoft FP® filtration systems

Requirements and limitations

Installation room	
Ambient temperature	+5°C...+40°C
Relative humidity	≤80%
Operating environment	indoor; free of corrosive vapors, airborne dust, and fibrous matter; sheltered from weather and direct sunlight
Power supply	
Electrical rating	230 V, 50 Hz (EU adapter)
Power	6 VA
Water supply	
Pressure	2-6 bar (30-90 psi)
Water temperature	+4°C...+30°C
Prefilter rating	100 µm

Model range

Model	Overall dimensions, m (width x depth x height)	Nominal flow rate, m ³ /h	Quantity of media, L	Consumption of water per regeneration, m ³	Required flow capacity, m ³ /h ¹
FP-1035	0,3×0,3×1,1	0,6	28,3	0,3-0,5	1,2
FP-1054	0,3×0,3×1,6	0,6	28,3	0,3-0,5	1,2
FP-1252	0,4×0,4×1,6	0,9	56,6	0,5-0,7	1,7
FP-1354	0,4×0,4×1,6	1,0	56,6	0,5-0,8	2,0
FP-1465	0,4×0,4×1,9	1,2	84,9	0,6-0,9	2,3
FP-1665	0,5×0,5×1,9	1,6	113,2	0,8-1,2	3,0
FP-2162	0,6×0,6×2,0	2,6	141,5	1,2-1,8	4,5

¹ supply water flow rate required for proper regeneration of system

7. INSTALLATION SHEET

Raw water quality data:

- hardness _____ mg/L CaCO₃
- iron _____ ppm
- manganese _____ ppm
- turbidity _____ ppm
- residual free chlorine _____ ppm
- chemical oxygen demand _____ mg O₂/L
- pH _____
- alkalinity _____ meq/L
- total dissolved solids _____ ppm

Supply pressure _____ MPa

Volume capacity _____ m³

Brine tank volume _____ L

System settings:

1. Regeneration Time _____ min
2. Preset stage duration:
 - backwash _____ min
 - brine and slow rinse _____ min
 - backwash _____ min
 - fast rinse _____ min
 - brine tank refill _____ min

Date _____

Stamp

For aftersale service and warranty claims, contact your dealer: _____

8. INSTALLATION INFORMATION

Installation

Date: _____

Owner of system: _____

Address, telephone: _____

Owner's signature: _____

Installer

Company: _____

Address, telephone: _____

Installer: _____

Installer's signature: _____

СОДЕРЖАНИЕ

1	Паспорт	26
2	Описание	27
3	Реагентные системы очистки воды	28
4	Безреагентные системы очистки воды	30
5	Комплектация, назначение и устройство основных узлов	31
6	Указания по монтажу и пуску системы	33
7	Инструкция по техническому обслуживанию и хранению	36
8	Схемы подключения систем	37
9	Возможные неисправности и методы их устранения	44
10	Лист спецификаций и настроек	47
11	Подключение	48
12	Гарантийный талон	49

1. ПАСПОРТ

Комплектация системы и серийные номера основных узлов

№	Наименование	Кол-во	Тип/Серийный номер
1	Корпус фильтра	шт.	
2	2-й корпус фильтра **	шт.	
3	Фильтрующий материал	л	
4	Управляющий клапан	шт.	
5	2-й управляющий клапан**	шт.	
6	Бак-солеплавитель*	шт.	
7	Устройство коммутации клапанов GL - дуплекс**	шт.	
8	Электромагнитный клапан**	шт.	
9	Байпасный вентиль	шт.	

* - для реагентных систем

** - для дуплексных систем

Технические характеристики

Рабочее давление	2-6 атм
Рекомендуемое рабочее давление	3-4 атм
Температура обрабатываемой воды	Т4-30 °С
Температура окружающей среды	4-40 °С
Электропитание	220 В, 50 Гц
Требуемый уровень предочистки от механических примесей	100 мкм
Номинальная производительность системы по очищенной воде	_____ м ³ /час
Максимальная производительность системы по очищенной воде	_____ м ³ /час
Расход соли на одну регенерацию загрузки	_____ кг
Диаметр подключений трубопроводов	Указан в инструкции на управляющий клапан
Диаметр подключения канализации	Указан в инструкции на управляющий клапан

Системы очистки воды ECOSOFT® производятся в соответствии с ТУУ 13680574.002-2000 и допущены Минздравом Украины к использованию в процессах очистки питьевой воды.

2. ОПИСАНИЕ

Общие положения

Системы ECOSOFT® представляют собой автоматические устройства, предназначенные для очистки воды в периодическом режиме.

В системах ECOSOFT® очистка воды осуществляется в проточном режиме, и ее эффективность зависит от скорости протекания воды через фильтрующий слой.

Скорость протекания воды через систему (измеряется в м³/час и называется "производительность" или "часовая производительность") зависит от многих факторов, таких как состав воды, тип фильтрующей загрузки и т.д.

Чем выше производительность системы, тем большего размера должен быть цилиндрический корпус фильтра (отражается в названии, например: FU1354 - "13" - диаметр корпуса, "54" - высота в дюймах) и диаметр подключения управляющих клапанов: 1", 1 1/4", 1 1/2", 2".

По мере прохождения очищаемой воды через фильтрующий слой его способность очищать воду постепенно снижается. Полное истощение фильтрующего слоя происходит после прохождения через него расчетного объема воды (этот объем называют "ресурсом" системы), и тогда возникает необходимость в восстановлении свойств материала, т.н. "регенерации". Объем фильтрующего материала и состав исходной воды определяют величину ресурса системы.

Регенерация системы осуществляется автоматически под управлением электронного контроллера. В зависимости от типа фильтрующего материала для восстановления свойств загрузки достаточно простой промывки фильтрующего слоя обратным током воды (такие системы называются безреагентными), либо необходима обработка фильтрующего материала раствором поваренной соли (такие системы называются реагентными).

В зависимости от типа фильтрующего материала и назначения, системы ECOSOFT® подразделяются согласно ТУ 13680574.002-2000 на такие типы:

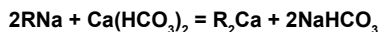
Тип	Условн. обоз.	Технологическое назначение модуля в процессе подготовки воды	Вид применяемого фильтрующего материала
Реагентные системы	FU	Удаление солей жесткости	Катионообменная смола
	FK	Комплексное удаление солей жесткости, железа, марганца, аммония и органических примесей в одном фильтре	Специальный сорбент ECOMIX®
	FO	Удаление органических примесей природного происхождения	Специальный полимерный сорбент ЭКОСОФТ СО
	FN	Удаление нитратов	Анионообменная смола
Безреагентные системы	FP	Удаление механических и коллоидных примесей	Многослойный фильтрующий материал
	FPA	Улучшение органолептических показателей, удаление хлора	Активированный уголь
	FPC	Удаление железа и сероводорода	Специальный активированный уголь Centaur
	FPB	Удаление железа	Каталитический материал Birn

3. РЕАГЕНТНЫЕ СИСТЕМЫ ОЧИСТКИ ВОДЫ

3.1. Умягчение воды

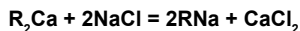
Жесткость воды на протяжении веков является серьезной проблемой для потребителей. Предательские признаки жесткости проявляются в налете на стенках ванны, плохом намыливании мыла, белых известковых отложениях на поверхности горячих и холодных водопроводных устройств. В коммерческой деятельности неочищенная жесткая вода приводит к дополнительным накладным расходам, особенно при эксплуатации водогрейных и паровых котлов. Для борьбы с жесткостью применяется метод ионообменного умягчения, в основе которого лежит фильтрация воды через слой полимерной катионообменной смолы (катионита).

Процесс ионообменного умягчения может быть описан как “обмен” ионов кальция и магния из очищаемой воды на ионы натрия, находящиеся в зерне катионита. Химическая реакция, описывающая процесс, выглядит так:



где *R* - каркас зерна ионообменной смолы

Регенерация смолы, т.е. перевод ее назад в натриевую форму, обычно осуществляется при пропускании раствора хлористого натрия через слой смолы. Реакция при этом выглядит так:



В системах умягчения ECOSOFT® FU применяются высококачественные ионообменные смолы DOWEX производства компании DOW CHEMICAL с отменными техническими характеристиками.

3.2. Комплексная очистка воды

Одновременное присутствие в воде артезианских скважин солей кальция и магния (жесткости), железа, марганца, аммония и органических соединений делает приведение ее минерального состава в соответствие с требованиями к питьевой воде трудоемкой и часто трудновыполнимой задачей.

Украинскими учеными была разработана и запатентована технология удаления всех перечисленных примесей в одну стадию и в одном аппарате при помощи фильтрующего материала ECOMIX®. При этом регенерация (восстановление свойств) фильтрующего материала ECOMIX® происходит при пропускании раствора поваренной соли так же, как и в стандартных системах умягчения.

ECOMIX® представляет собой смесь пяти ионообменных и сорбционных материалов природного и синтетического происхождения, различающихся механизмом сорбционного и фильтрующего действия, удельным весом и гранулометрическим составом. При изготовлении фильтрующего материала все компоненты тщательно перемешиваются в заданных рецептурой количествах, а при эксплуатации фильтрующий материал расслаивается, причем последовательность образующихся слоев обеспечивает максимально эффективное удаление всех примесей - комплексную очистку воды. (Подробнее об ECOMIX® на сайте www.ecomix.com.ua).

3.3. Системы ECOSOFT® FU и FK

Системы ECOSOFT® FU предназначены для умягчения воды, используемой в быту и на производстве, и могут быть использованы для очистки водопроводной и артезианской воды. Восстановление свойств (регенерация) катионита проводится автоматически с применением таблетированной соли. Частоту проведения регенерации определяет электронный контроллер с учетом объема потребления воды, удобного для пользователя времени проведения регенерации, пиковых нагрузок и т. п.

Системы ECOSOFT® FK конструктивно напоминают традиционные умягчители, однако, вместо традиционного катионита, они заполняются фильтрующим материалом ECOMIX®. Традиционная система умягчения или комплексной очистки состоит из фильтра с управляющим клапаном, а также бака для хранения соли и приготовления раствора для регенерации системы. Системы такого типа называются MONEX и используются для очистки воды в бытовых и коммерческих целях.

Диаметр и высота корпуса, а также объем фильтрующего материала подбираются в соответствии с данными о часовом и суточном потреблении очищенной воды. Управляющий клапан с электронным контроллером регенерации обеспечивает переключение потоков воды в режимах "очистка" - "регенерация".

3.4. ECOSOFT® FK и FU "Cabinet"

Для очистки воды в квартирах и загородных домах чаще всего используются компактные модели "CABINET". Особенность этих моделей состоит в том, что корпус фильтра в них помещен непосредственно в солевой бак специальной формы - т. н. "кабинет". Благодаря этому существенно экономится место, что весьма важно при расположении этих аппаратов в квартирах.

3.5. Очистка воды в котельных на производстве - ECOSOFT® "Duplex"

Для непрерывного снабжения очищенной водой крупных коттеджей, разнообразных технологических линий, подпитки водяных контуров водогрейных и паровых котлов применяются системы непрерывного действия "DUPLIX". Принципиальной особенностью этих систем является то, что потребитель никогда не остается без очищенной воды, даже в момент регенерации фильтра. Непрерывность работы установки обеспечивают два фильтра - один в рабочем режиме, второй - в регенерации или резерве. При этом переключение потоков воды осуществляется при помощи одного или двух управляющих клапанов, снабженных электронным контроллером и импульсным счетчиком воды.

3.6. Зачем нужен электронный контроллер?

Электронный контроллер обеспечивает надежное управление работой системы очистки воды и экономное расходование соли и воды при регенерации. Кроме того, он обеспечивает:

- Три возможных режима регенерации по расходу очищенной воды.
- Контроль скорости протока воды через фильтр и архивацию этих данных.
- Автоматическую принудительную регенерацию каждые 1-28 дней для предотвращения "застоя" воды в системе.
- Контроль расхода соли и сигнализацию при отсутствии соли в баке.

4. БЕЗРЕАГЕНТНЫЕ СИСТЕМЫ ОЧИСТКИ ВОДЫ

4.1. Системы фильтрации воды ECOSOFT® FP

В отличие от картриджных фильтров применение безреагентных систем фильтрации позволяет существенно снизить эксплуатационные затраты на очистку воды от механических примесей (песка, глины, окалины и т.п.). Для поддержания работоспособности такой системы достаточно проведения регулярной промывки фильтрующего слоя обратным током воды. В качестве фильтрующего материала могут применяться такие материалы, как песок и антрацитная крошка, а также синтетические материалы, такие как FilterAg®. FilterAg® представляет собой фильтрующий материал на основе диоксида кремния, используемый для эффективного удаления из воды взвешенных частиц. Filter Ag® имеет ряд преимуществ перед большинством гранулированных фильтрующих материалов, используемых для механической очистки воды от взвешенных веществ. Изломленные края и неровности частиц данного материала обеспечивают большую площадь поверхности и сложную траекторию протекания потока воды через слой фильтрующего материала, за счет чего достигается уровень механической очистки до 20-40 мкм.

4.2. Системы очистки воды ECOSOFT® FPA - Угольная фильтрация

Для корректировки вкуса, цвета и запаха воды применяются системы фильтрации ECOSOFT® FPA на основе активированного угля. В системах FPA применяется активированный уголь производства компании Calgon Carbon Corporation (США), обладающий уникальной способностью одинаково эффективно удалять крупные органические соединения (гуминовые кислоты, нефтепродукты), хлор и хлорорганические соединения. Наиболее актуально применение активированного угля для удаления из воды свободного хлора.

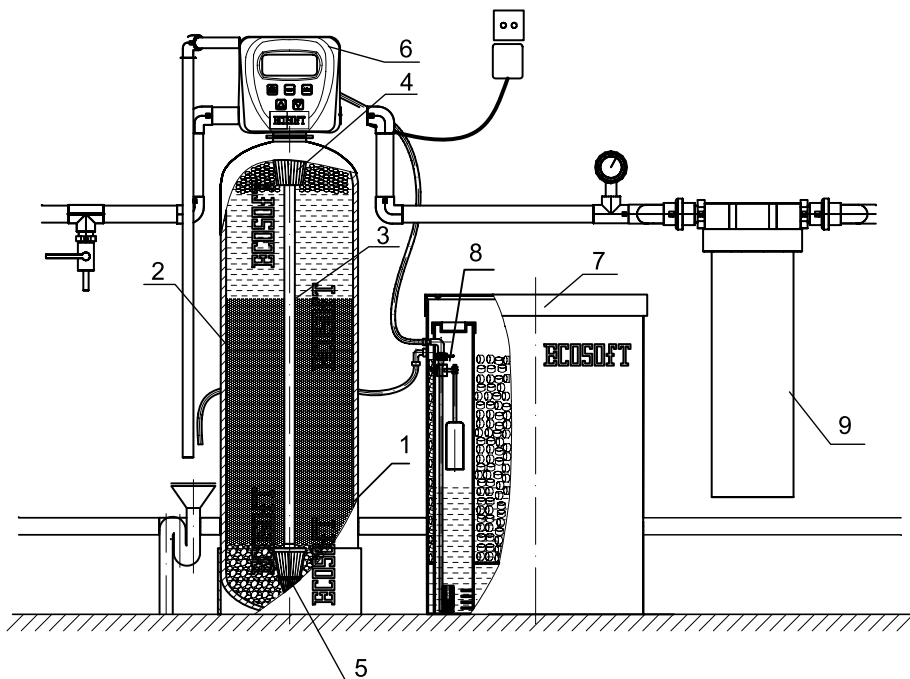
4.3. Системы безреагентного обезжелезивания и удаления сероводорода

Присутствие в воде железа, марганца и сероводорода является серьезной проблемой как хозяйственно-бытового и питьевого водоснабжения, так и подготовки воды для нужд разнообразных производственных процессов. При этом, применение традиционных систем окислительного обезжелезивания с использованием сильных окислителей - гипохлорита натрия, перманганата калия и т.п. становится все более нежелательным с экологической точки зрения. Системы безреагентного удаления железа основаны на окислении железа (II) в присутствии кислорода воздуха на фильтрующих материалах с каталитическими свойствами, таких как:

- Birn - алюмосиликатный фильтрующий материал, модифицированный диоксидом марганца (системы FPB).
- Centaur - активированный уголь с каталитическими свойствами (системы FPC). Системы FPC также весьма эффективны для удаления сероводорода.

Вода, содержащая не менее 5 мг/л кислорода, поступает в фильтр, заполненный каталитическим фильтрующим материалом, на котором происходит окисление железа (II), формирование и фильтрация осадка гидрооксида железа (III). Регенерация этих фильтрующих материалов производится БЕЗ РЕАГЕНТОВ при помощи промывки обратным током воды. Эти системы позволяют наиболее экономно и эффективно произвести очистку воды от железа, марганца, а в случае применения фильтрующего материала Centaur - и сероводорода.

5. КОМПЛЕКТАЦИЯ, НАЗНАЧЕНИЕ И УСТРОЙСТВО ОСНОВНЫХ УЗЛОВ



Система (одинарный модуль, для систем дуплекс - два модуля) состоит из следующих основных узлов:

1. Корпус фильтра.
2. Фильтрующий материал.
3. Центральная труба.
4. Верхний дренажный колпачок.
5. Нижний дренажный колпачок.
6. Управляющий клапан с электронным контроллером.
7. Бак-солеорастворитель.
8. Рассольный клапан.
9. Механический фильтр.

5.1. Корпус фильтра с фильтрующим материалом

Корпус фильтра представляет собой вертикальную цилиндрическую емкость из усиленного снаружи стекловолокном полиэфирного пластика, заполненную фильтрующим материалом. Горловина для загрузки/выгрузки фильтрующего материала, а также крепления управляющего клапана расположены в верхней части корпуса фильтра. Перед загрузкой фильтрующего материала в корпус фильтра помещается центральная труба с нижним дренажным колпачком, которая служит для отвода отфильтрованной воды.

5.2. Управляющий клапан с электронным контроллером

(более подробное описание - "Руководство по эксплуатации управляющего клапана")

Автоматический управляющий клапан предназначен для переключения потоков воды при различных режимах работы системы. Управляющий клапан подключается к линиям подвода и отвода воды, канализации и линии подачи солевого раствора для регенерации. Монтируется на горловине корпуса фильтра. В нижнюю часть управляющего клапана устанавливается "верхний дренажный колпачок" с отверстием для центральной трубы.

Автоматический управляющий клапан изготовлен из стеклонеполненного нирила или бронзы, обеспечивает переход системы из режима фильтрации в режим регенерации (промывки фильтрующего материала).

Активация процедуры регенерации может производиться "по объему" (после очистки заданного объема воды) и/или "по времени" (в заданный день и час).

Управляющий клапан также контролирует расход воды в режиме фильтрации, во время прямой промывки и взрыхления, наполнения бака-солерастворителя.

При отключении электропитания сохраняются все настройки клапана, кроме текущего времени (если питание отсутствует более 2 часов), которое следует переустановить после восстановления электропитания.

5.3. Бак-солерастворитель

Бак-солерастворитель (входит в состав реагентных систем) предназначен для приготовления насыщенного раствора поваренной соли (регенерационный раствор), который во время регенерации подается в фильтр при помощи эжектора, входящего в состав управляющего клапана. Бак-солерастворитель представляет собой пластиковую емкость с вмонтированной системой забора раствора и наполнения бака. При помощи гибкого шланга бак соединяется с управляющим клапаном.

Воздушный клапан системы забора раствора предохраняет корпус фильтра от попадания в нее воздуха, и, как следствие, от возможных гидроударов.

Уровень раствора ограничивается клапаном безопасности (поплавок), с помощью которого происходит запирание переливного клапана системы забора раствора.

6. УКАЗАНИЯ ПО МОНТАЖУ И ПУСКУ СИСТЕМЫ

6.1. Общие положения

- Место для монтажа системы должно иметь достаточную площадь с ровным фундаментом.
- В пределах монтажной зоны необходимо предусмотреть слив в канализацию и источник электропитания (220 В, 50 Гц).
- Помещение, в котором находится система, должно удовлетворять требованиям Паспорта на установку и действующим СНиП.
- Качество обрабатываемой воды, водопроводная и электрическая сеть должны соответствовать требованиям Паспорта на данную систему.
- Не используйте систему на открытых площадках, где она может быть подвержена воздействию атмосферных явлений.
- Все трубопроводы и электрические соединения должны соответствовать местным требованиям.

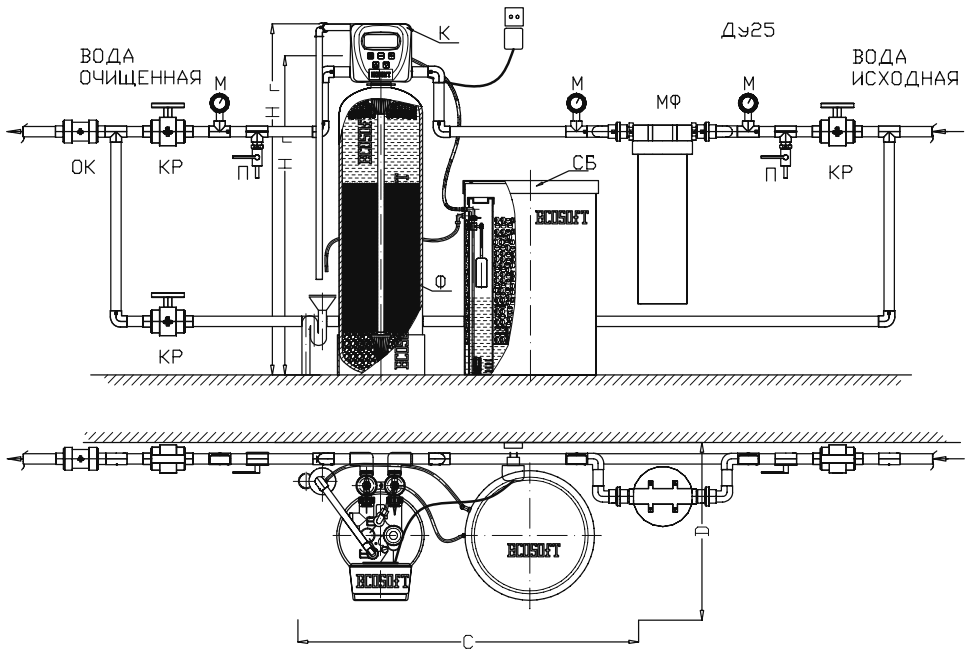
6.2. Общие положения

- Температура окружающего воздуха от +5 до +40 °С
- Относительная влажность окружающего воздуха Не более 80 %
- Воздух помещения не должен содержать паров агрессивных веществ
- Давление в трубопроводе от 2 до 6 атм
- Температура воды от +5 до +30 °С
- Трубопровод должен быть свободен от известковых и железистых отложений
- Безнапорная канализация, производительностью согласно паспорта
- Напряжение 220 В
- Частота тока 50 Гц
- Электрические подключения должны быть изолированы и заземлены
- Потребляемая мощность 30 Вт

6.3. Сборка системы (для систем поставляемых в разобранном состоянии)

Для сборки системы необходимо расположить баллон в месте монтажа системы, установить в него центральную трубу с нижним дренажным колпачком, проверив ее длину - верхний срез центральной трубы должен располагаться на одном уровне с верхним срезом горловины баллона (+ 5 мм). Осторожно через воронку, избегая попадания в центральную трубу (временно закрыв ее колпачком), загружают фильтрующий материал.

В том случае, если при загрузке центральная труба сместилась, необходимо восстановить ее вертикальность. Установите верхнее дренажное устройство в специально предназначенном посадочном месте на управляющем клапане. Установите (накрутите) управляющий клапан на горловину корпуса фильтра, предварительно направив центральную трубу в отверстие верхнего дренажного устройства. Присоедините полиэтиленовую трубку от рассольного клапана (для реагентных систем) бака-солеобразователя к управляющему клапану (см. Паспорт на управляющий клапан).



К - Клапан	П - Пробоотборник
Ф - Фильтр	ОК - Обратный клапан
СБ - Солевой бак	Нг - Габаритная высота системы
МФ - Механический фильтр	Нп - Высота подключений (подвод и отвод воды)
М - Манометр	С - ширина монтажной зоны
КР - Кран	Д - глубина монтажной зоны

6.4. Подключение системы к линии водоснабжения

- Для защиты управляющего клапана системы от попадания в него механических загрязнений, которые могут вызвать его повреждение (ржавчина, песок, окалина и т.д.), на входе обязательно установка механического фильтра, снабженного манометрами или дифманометром для определения степени его загрязнения. Для правильной настройки и дальнейшего сервисного обслуживания система должна обязательно иметь пробоотборники и манометры. Для подключения системы к водопроводу необходимо перекрыть линию подачи холодной воды (при необходимости - отключить повышающий насос), произвести монтаж всех узлов и компонентов системы, обеспечив при этом надежное крепление трубопроводов и арматуры.

Внимание: категорически запрещается нагружать монтажные фитинги клапана, используя их как точки крепления (поддержки) труб! Гидравлические подключения клапана, такие как Вход/выход, снабжены стрелками, указывающими направление движения воды. При монтаже системы следите за направлением стрелок!

- Для защиты оборудования необходима установка обратного клапана на выходе из системы очистки.
- При монтаже системы необходимо предусмотреть байпас (если таковой не включен в комплект установки) для осуществления регламентных и ремонтных работ.

6.5. Подключение системы к линии канализации

- Для проведения регенерации фильтрующей загрузки система должна быть подключена к линии канализации. Для этого дренажную трубу подключают к дренажному штуцеру управляющего клапана фильтра и выводят в приемник канализационного ненапорного коллектора (сифон, трап).
- Для нормальной работы системы обязательно наличие гидроразрыва между приемником канализации и дренажной трубой, равный двойному диаметру дренажной трубы (но не менее 1”).
- Также необходимо подсоединить гибкую полимерную трубку к переливному штуцеру бака-солерастворителя и подвести ее к канализационному коллектору с гидроразрывом не менее 1”.
- Не рекомендуется создавать гидравлическое сопротивление на дренажном выходе управляющего клапана, т.к. это может привести к неэффективной регенерации системы.

6.6. Опресовка системы

Перед запуском системы водоочистки необходимо провести ее опресовку.

- Для этого запрограммируйте управляющий клапан согласно Руководства по эксплуатации управляющего клапана, параметрам исходной воды и типа используемой установки.
- Подключите клапан к электросети.
- Переведите клапан в режим регенерации (Backwash), приоткройте кран на входе в установку и медленно заполните корпус фильтра водой.
- Осмотрите все соединения узлов и деталей на предмет течи (резьбовые соединения, клеевые, паяные, сварные и др.), при возникновении течи - устраните ее.

6.7. Запуск системы

Безреагентной:

- Проведите регенерацию фильтра (отмычку фильтрующего материала) в ручном режиме.
- Система готова к работе и управление может осуществляться автоматически.

Реагентной:

- Перейдите на стадию регенерации - наполнение солевого бака (FILL).
- Дождитесь окончания налива и проверьте уровень воды в баке- солерастворителе.
- Заполните бак-солерастворитель солью.
- Дождитесь окончания приготовления рассола (не менее 2-х часов) и проведите регенерацию фильтра в ручном режиме.
- Система готова к работе и управление может осуществляться автоматически.

7. ИНСТРУКЦИЯ ПО ТЕХНИЧЕСКОМУ ОБСЛУЖИВАНИЮ И ХРАНЕНИЮ

7.1 Общие положения

При эксплуатации системы необходимо обеспечить давление исходной воды в соответствии с величинами, приведенными в паспорте на данную систему.

- В баке-солеорастворителе постоянно должна находиться нерастворенная таблетированная соль, уровень которой должен быть выше уровня воды. Необходимо следить за расходом соли в баке-солеорастворителе и периодически пополнять ее количество.
- В случае длительных простоев системы во избежание микробиологического зарастания фильтрующего материала необходимо провести его консервацию регенерационным раствором. Для консервации ионообменного фильтрующего материала необходимо провести ручную регенерацию и, когда прекратится подача регенерационного раствора из бака-солеорастворителя, перекрыть подачу исходной и очищенной воды, и перевести управляющий клапан в рабочий режим.
- Для запуска системы после длительного простоя необходимо провести ручную регенерацию установки.
- При эксплуатации системы необходимо периодически (не реже 1 раза в квартал) проверять герметичность соединений, целостность элементов системы.
- Для обеспечения нормальной работы системы необходимо обязательное ежегодное проведение сервисного обслуживания, включающего полную диагностику оборудования, входящего в состав системы.
- Необходимо регулярно сверять время электронного контроллера с текущим временем и при необходимости проводить его корректировку.
- Необходимо регулярно производить замену картриджа механического фильтра (если он входит в комплект системы). Критерий замены - разница в показаниях манометров, установленных до и после механического фильтра, должна быть более 1 атм.

7.2. Меры предосторожности при работе с системой

Не допускается превышение регламентируемых паспортных параметров работы системы.

Не допускается превышение максимальной паспортной производительности системы.

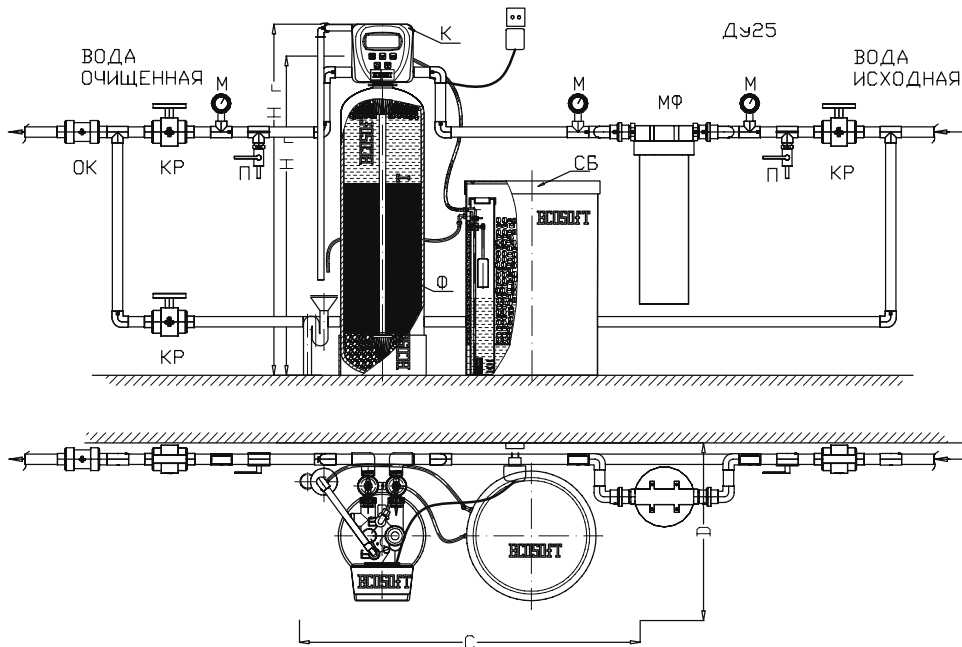
- При выполнении ремонтных работ следует, прежде всего, отключить электропитание и сбавить давление в фильтре.
- Не разрешается подвергать корпус фильтра механическим нагрузкам (ударам, статическим нагрузкам и т.д.).
- Во время работы или обслуживания системы следует принять меры для предотвращения попадания влаги внутрь электрической части контроллера.

7.3. Хранение системы

- Хранить систему необходимо в сухом отапливаемом помещении с температурой воздуха рабочей зоны + 4–40 °С и влажностью не более 80%. Воздух рабочей зоны не должен содержать паров агрессивных веществ.
- Запрещается подвергать систему механическим ударам.

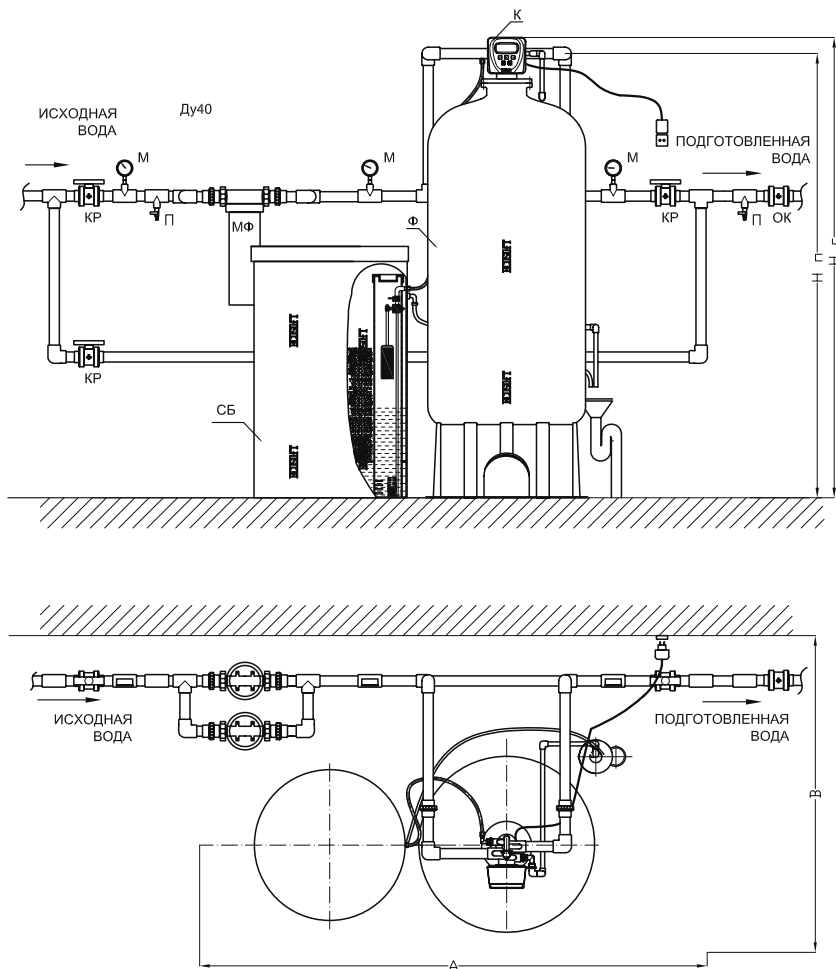
8. СХЕМЫ ПОДКЛЮЧЕНИЯ СИСТЕМ

Схема подключения реагентной системы типа “MONEX” с 1” и 1.25” фиттингами



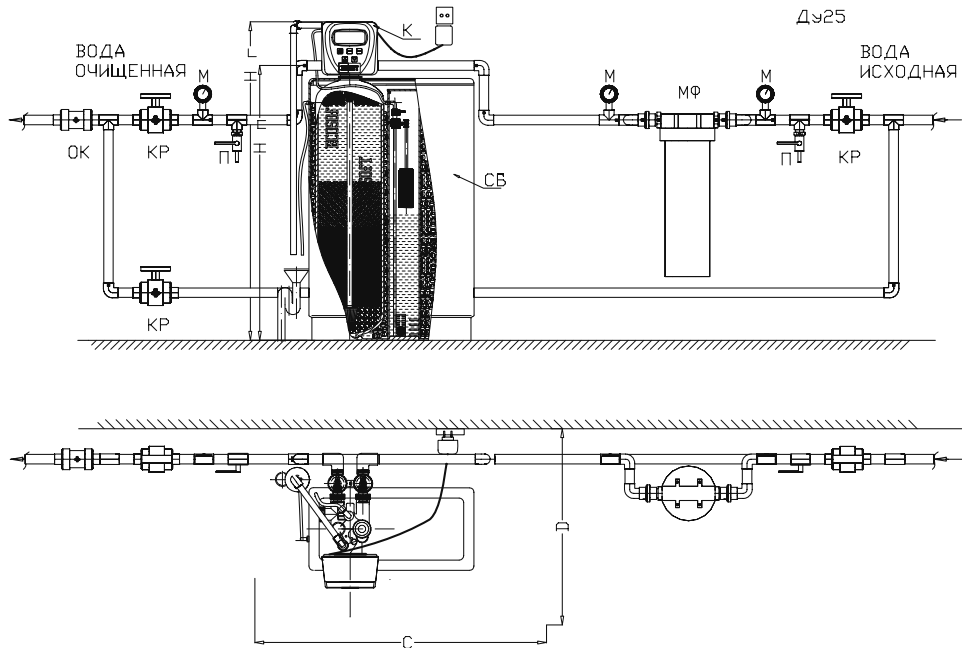
- | | |
|--------------------------|---|
| К - Клапан | П - Пробоотборник |
| Ф - Фильтр | ОК - Обратный клапан |
| СБ - Солевой бак | Нг - Габаритная высота системы |
| МФ - Механический фильтр | Нп - Высота подключений (подвод и отвод воды) |
| М - Манометр | С - ширина монтажной зоны |
| КР - Кран | А - глубина монтажной зоны |

Схема подключения реакгентной системы типа "MONEX" с 1.5" фиттингами



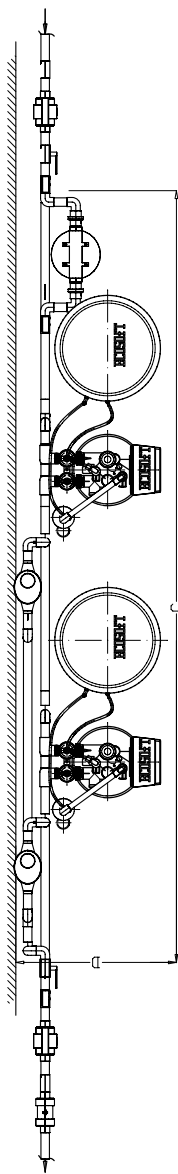
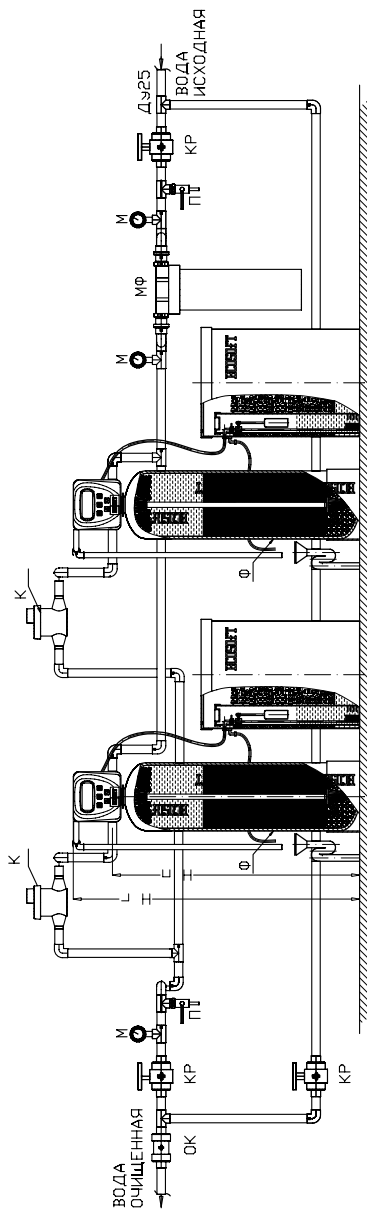
- | | |
|--------------------------|---|
| К - Клапан | П - Пробоотборник |
| Ф - Фильтр | ОК - Обратный клапан |
| СБ - Солевой бак | Нг - Габаритная высота системы |
| МФ - Механический фильтр | Нп - Высота подключений (подвод и отвод воды) |
| М - Манометр | А - ширина монтажной зоны |
| КР - Кран | В - глубина монтажной зоны |

Схема подключения реакгентной системы типа “CABINET”



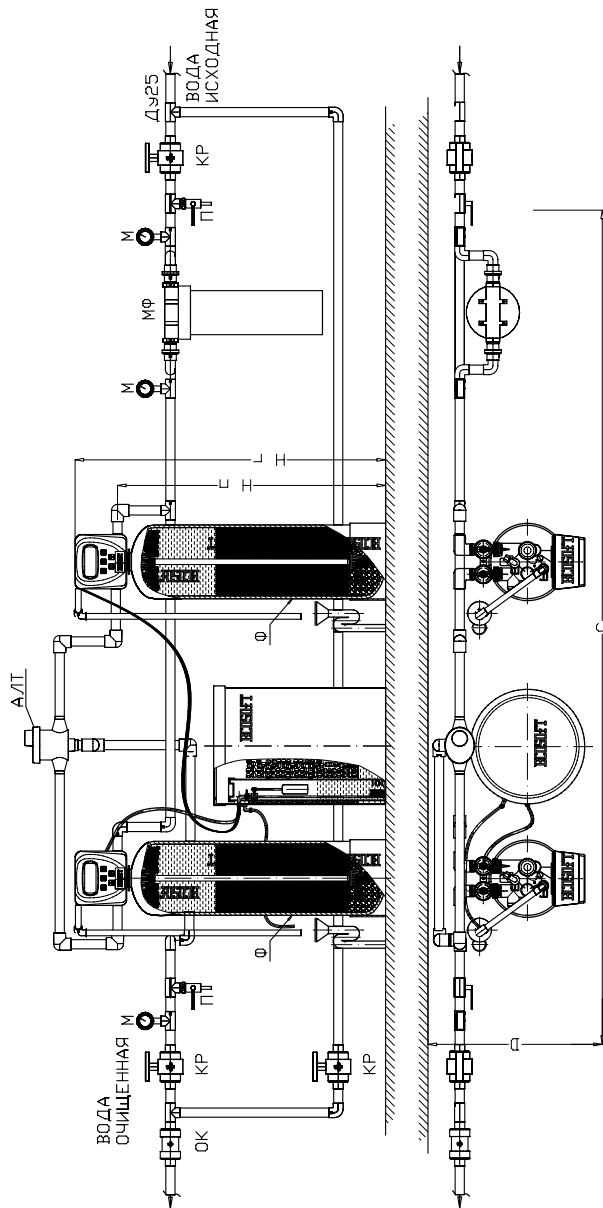
- | | |
|--------------------------|---|
| К - Клапан | П - Пробоотборник |
| Ф - Фильтр | ОК - Обратный клапан |
| СБ - Солевой бак | Нг - Габаритная высота системы |
| МФ - Механический фильтр | Нп - Высота подключений (подвод и отвод воды) |
| М - Манометр | С - ширина монтажной зоны |
| КР - Кран | А - глубина монтажной зоны |

Схема подключения реагентной системы типа "DUPLEX" с 1" и 1.25" фиттингами



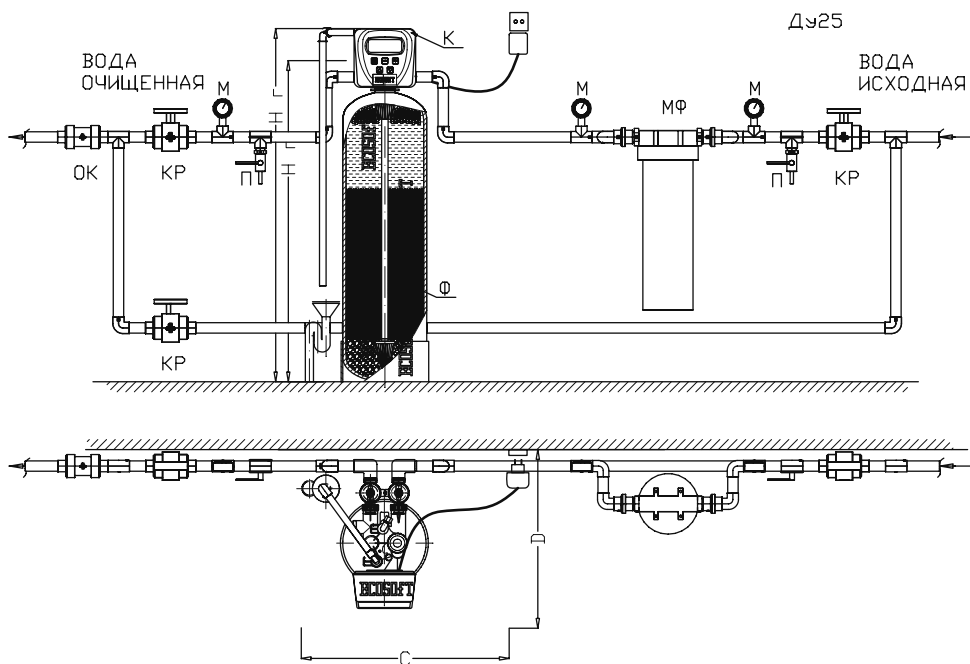
- | | |
|--------------------------|---|
| К - Клапан | П - Пробоотборник |
| Ф - Фильтр | ОК - Обратный клапан |
| СБ - Солевой бак | Нг - Габаритная высота системы |
| МФ - Механический фильтр | Нп - Высота подключений (подвод и отвод воды) |
| М - Манометр | С - ширина монтажной зоны |
| КР - Кран | А - глубина монтажной зоны |

Схема подключения реакгентной системы типа "TWIN"



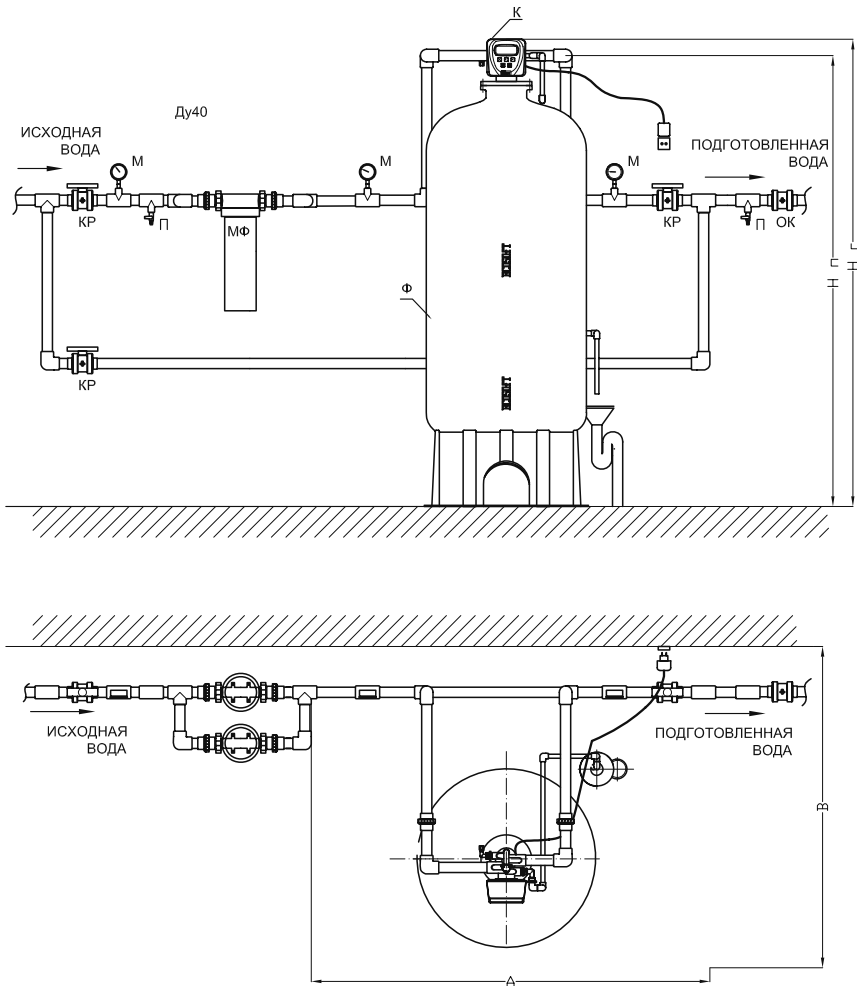
- | | |
|--------------------------|---|
| К - Клапан | П - Пробоотборник |
| Ф - Фильтр | ОК - Обратный клапан |
| СБ - Солевой бак | НГ - Габаритная высота системы |
| МФ - Механический фильтр | Нп - Высота подключений (подвод и отвод воды) |
| М - Манометр | С - ширина монтажной зоны |
| КР - Кран | А - глубина монтажной зоны |

Схема подключения безреагентной системы с 1" и 1.25" фиттингами



- | | |
|--------------------------|---|
| К - Клапан | П - Пробоотборник |
| Ф - Фильтр | ОК - Обратный клапан |
| СБ - Солевой бак | Нг - Габаритная высота системы |
| МФ - Механический фильтр | Нп - Высота подключений (подвод и отвод воды) |
| М - Манометр | С - ширина монтажной зоны |
| КР - Кран | А - глубина монтажной зоны |

Схема подключения реакгентной системы типа “MONEX” с 1.5” фиттингами



- | | |
|--------------------------|---|
| К - Клапан | П - Пробоотборник |
| Ф - Фильтр | ОК - Обратный клапан |
| СБ - Солевой бак | Нг - Габаритная высота системы |
| МФ - Механический фильтр | Нп - Высота подключений (подвод и отвод воды) |
| М - Манометр | А - ширина монтажной зоны |
| КР - Кран | В - глубина монтажной зоны |

9. ВОЗМОЖНЫЕ НЕИСПРАВНОСТИ И МЕТОДЫ ИХ УСТРАНЕНИЯ

НЕИСПРАВНОСТЬ	ВОЗМОЖНАЯ ПРИЧИНА	УСТРАНЕНИЕ
Снизилась производительность системы.	1. Упало давление питающей воды.	Увеличить давление питающей воды.
	2. Засорился фильтрующий материал.	См. п. 3.
	3. Засорились дренажи.	Прочистить дренажные устройства.
	4. Засорился управляющий клапан.	Разобрать и прочистить клапан.
	5. Вышел из строя электроклапан на выходе (если установлен).	Произвести ремонт электроклапана или заменить его.
Ухудшилось качество воды на выходе системы.	1. Ошибка в анализе воды.	Сделать повторный анализ, используя свежеприготовленные реактивы.
	2. Изменился состав исходной воды.	Сделать контрольный анализ исходной воды и в случае изменения обратиться к дилеру.
	3. Открыт байпасный кран.	Закрыть байпасный кран.
	4. Повреждена центральная труба фильтра или уплотнения.	Разобрать фильтр, отремонтировать трубу, заменить или смазать прокладки.
	5. Засорился фильтрующий материал.	См. п. 3.
	6. Вследствие уноса уменьшился объем фильтрующего материала в фильтре.	См. п. 4.
	7. Не отрегенирован или плохо отрегенирован фильтрующий материал.	См. п. 6.
	8. Протекание внутри управляющего клапана (подмес исходной воды).	Разобрать клапан, проверить и, в случае необходимости, заменить и смазать уплотнения.
Засорился фильтрующий материал.	1. Недостаточная интенсивность взрыхления фильтрующего материала.	Проверить расход воды на стадии взрыхления. Если при нормальном давлении воды расход уменьшился, следует прочистить ограничитель потока дренажной линии или заменить его.
	2. Недостаточная продолжительность взрыхления.	Увеличить продолжительность стадии взрыхления.
	3. Засорился верхний дренаж фильтра.	Прочистить верхний дренаж.
	4. Слишком высокая скорость взрыхления фильтрующего материала.	Проверить расход воды на стадии взрыхления. Если при нормальном давлении воды расход слишком высокий, следует заменить ограничитель потока дренажной линии на ограничитель с меньшим отверстием.

НЕИСПРАВНОСТЬ	ВОЗМОЖНАЯ ПРИЧИНА	УСТРАНЕНИЕ
Унос фильтрующего материала из фильтра.	1. Фильтрующий материал уносится из фильтра во время регенерации на стадии взрыхления.	Проверить целостность и надежность крепления верхнего дренажа. В случае необходимости заменить его.
	2. Фильтрующий материал уносится из фильтра в рабочем режиме.	Проверить целостность и надежность нижнего дренажа. В случае необходимости заменить его.
Система не производит регенерацию.	1. Неисправно электропитание системы.	Проверить электрическую цепь.
	2. Отсутствует соль в баке-соле-растворителе, низкая концентрация рассола.	Проверить наличие соли в баке-соле-растворителе.
	3. При регенерации в фильтр не подсасывается рассол или его количество меньше установленного.	См. п. 6.
	4. Неисправен управляющий клапан или изменены его настройки.	Проверить работу управляющего клапана и его настройки (см. Инструкцию по эксплуатации управляющего клапана).
	5. В бак-соле-растворитель не поступает вода или ее количество недостаточно.	См. п. 7.
При регенерации в фильтр не подсасывается рассол или его количество меньше установленного	1. Низкое давление исходной воды.	Проверить давление исходной воды.
	2. Засорен инжектор или трубка подачи раствора.	Прочистить инжектор и трубку подачи рассола.
	3. Засорен дренаж шахты рассольного клапана, вследствие чего преждевременно срабатывает воздушный клапан.	Прочистить дренаж шахты рассольного клапана.
	4. Повышенное гидродинамическое сопротивление фильтра (засорен клапан, дренажи или фильтрующий материал).	См. пп. 1, 4.
	5. Нарушена герметичность линии подачи рассола, вследствие чего в инжектор подсасывается воздух.	Проверить герметичность соединений и в случае необходимости уплотнить.
	6. Изменены настройки управляющего клапана.	Увеличить длительность стадии регенерации.

НЕИСПРАВНОСТЬ	ВОЗМОЖНАЯ ПРИЧИНА	УСТРАНЕНИЕ
В бак-солерастворитель не поступает вода или ее количество недостаточно	1. Низкое давление исходной воды.	Проверить давление исходной воды.
	2. Засорен инжектор или трубка подачи раствора.	Прочистить инжектор и трубку подачи раствора.
	3. Засорен дренаж шахты рассольного клапана, вследствие чего преждевременно срабатывает поплавковый клапан.	Прочистить дренаж шахты рассольного клапана, отрегулировать поплавок рассольного клапана.
	4. Изменены настройки управляющего клапана или рассольного клапана.	Увеличить длительность стадии наполнения бака-солерастворителя, отрегулировать рассольный клапан.
Избыточное потребление соли при регенерации	1. Изменены настройки управляющего клапана или рассольного клапана.	Перепрограммировать управляющий клапан, опустить поплавок рассольного клапана.
	2. В бак-солерастворитель поступает избыточное количество воды.	См. п. 9.
В бак-солерастворитель поступает избыточное количество воды	1. Повышенное давление исходной воды.	Уменьшить давление исходной воды.
	2. Изменены настройки управляющего клапана или рассольного клапана.	Перепрограммировать управляющий клапан или отрегулировать рассольный клапан.

10. ЛИСТ СПЕЦИФИКАЦИЙ И НАСТРОЕК

ЗАПОЛНЯЕТСЯ АВТОРИЗИРОВАННЫМ СПЕЦИАЛИСТОМ

Данные очищаемой воды:

- жесткость _____ мг-экв./л
- железо _____ мг/л
- марганец _____ мг/л
- мутность _____ мг/л
- свободный остаточный хлор _____ мг/л
- окисляемость _____ мг/л
- pH _____
- щелочность _____
- содержание сероводорода _____
- содержание нефтепродуктов _____
- содержание органических соединений _____ мг/л
- TDS _____ мкСм/см

Давление на входе _____ бар

Ресурс системы _____ м³

Объем солевого бака _____ л

Настройки системы:

1. установленное время начала регенерации _____ час _____ мин

2. установленная продолжительность стадий регенерации:

- взрыхление _____ мин
- обработка рассолом и медленная промывка _____ мин
- быстрая промывка _____ мин
- заполнения солевого бака _____ мин

Дата подключения _____

Подпись _____ Печать _____

По вопросам гарантийного и послегарантийного обслуживания обращайтесь в вашу Дилерскую службу сервиса по адресу: _____

11. ПОДКЛЮЧЕНИЕ

Для подключения системы очистки воды Вы можете воспользоваться услугами авторизованных специалистов Дилерской службы сервиса.

Вы можете также воспользоваться услугами любых квалифицированных специалистов, но в этом случае Вы теряете право на гарантийное обслуживание, если система вышла из строя вследствие неправильного подключения, настройки или ремонта.

Заполнение ЛИСТА СПЕЦИФИКАЦИЙ И НАСТРОЕК после подключения является обязательным.

Данные о подключении

Дата подключения: _____

ФИО покупателя: _____

Адрес и телефон: _____

Работу принял (подпись): _____

Данные об установщике

Организация: _____

Адрес и телефон: _____

Работу выполнил: _____

Подпись: _____

ГАРАНТИЙНЫЙ ТАЛОН № _____

Гарантийный талон действителен в оригинале при наличии подписи продавца и печати (штампа) фирмы-продавца

СИСТЕМА ОЧИСТКИ ВОДЫ ECOSOFT® _____

Изготовлено в соответствии с требованиями ТУ У 13680574.002-2000.

Серийный номер: _____

Подпись: _____

Дата изготовления: _____

Гарантийный срок эксплуатации: 36 месяцев Для установок с управляющими клапанами Clack WSCE, Clack WSC T

Печать: _____

УСЛОВИЯ ПРЕДОСТАВЛЕНИЯ ГАРАНТИИ

ООО «НПО «ЭКОСОФТ» гарантирует, что данный управляющий клапан не содержит производственных дефектов и что такие дефекты не выявятся в течение 12 месяцев с момента реализации клапана со склада ООО «НПО «ЭКОСОФТ» в случае, если клапан установлен и работает в соответствии с техническими характеристиками и условиями эксплуатации.

Гарантия не распространяется на дефекты, о которых не было сообщено в течение гарантийного срока или они были вызваны небрежным и/или неправильным обращением, а также на дефекты вызванные механическими повреждениями, воздействием огня, стихийных бедствий, замерзанием вод, попаданием горячей воды, и другими подобными явлениями.

Ни при каких условиях ООО «НПО «ЭКОСОФТ» не несет ответственности за какую-либо порчу имущества либо любой другой вид ущерба, включая упущенную прибыль, возникшую случайно либо вследствие установки или использования или невозможности использования данного управляющего клапана либо любой системы очистки воды, включающей в себя данный управляющий клапан. Ответственность ООО «НПО «ЭКОСОФТ» в соответствии с этой гарантией не может превышать стоимости данного управляющего клапана.

Дата: _____

Дата продажи: _____

Фирма, предоставляющая гарантию: _____

Ф.И.О. и подпись продавца: _____

